

## DS-2CE17H0T-IT3F 5 MP Camera



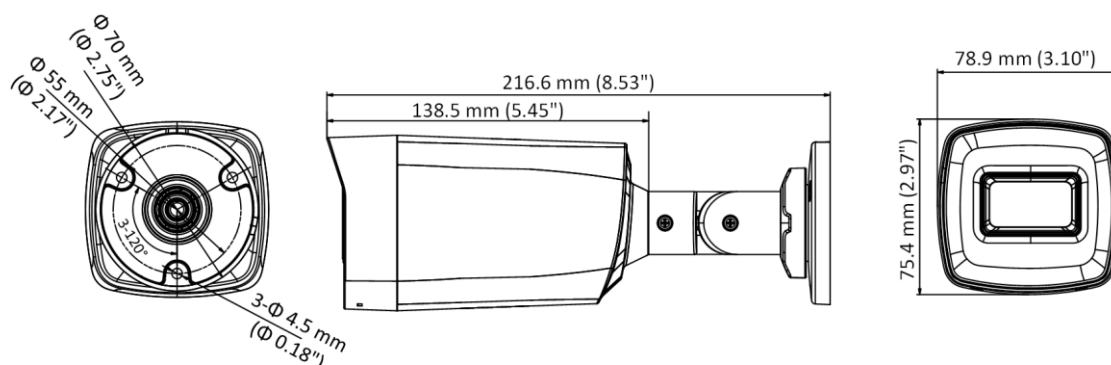
- High quality imaging with 5 MP, 2560 × 1944 resolution
- 2.8 mm, 3.6 mm, 6 mm, 8mm, 12mm fixed focal lens
- Up to 40 m IR distance for bright night imaging
- One port for four switchable signals (TVI/AHD/CVI/CVBS)
- Water and dust resistant (IP67)

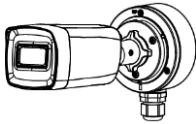


## ▪ Specification

Camera	
Image Sensor	5 MP CMOS
Signal System	PAL/NTSC
Frame Rate	TVI: 5M@20fps, 4M@30fps, 4M@25fps, 1080p@30fps, 1080p@25fps AHD: 5M@20fps, 4M@30fps, 4M@25fps CVI: 4M@30fps, 4M@25fps CVBS: PAL/NTSC
Resolution	2560 (H) × 1944 (V)
Min. illumination	0.01 Lux @ (F1.2, AGC ON), 0 Lux with IR
Shutter Time	PAL: 1/25 s to 1/50, 000 s NTSC: 1/30 s to 1/50, 000 s
Lens	2.8 mm, 3.6 mm, 6 mm, 8 mm, 12 mm fixed lens
Horizontal Field of View	2.8 mm, horizontal FOV: 85°, vertical FOV: 63°, diagonal FOV:110° 3.6 mm, horizontal FOV: 80°, vertical FOV: 63°, diagonal FOV:105° 6 mm, horizontal FOV: 57°, vertical FOV: 43°, diagonal FOV:72° 8 mm, horizontal FOV: 41°, vertical FOV: 31°, diagonal FOV:52° 12 mm, horizontal FOV: 26°, vertical FOV: 19°, diagonal FOV:32°
Lens Mount	M12
Day & Night	ICR
WDR (Wide Dynamic Range)	Digital WDR
Angle Adjustment	Pan: 0 to 360°, Tilt: 0 to 180°, Rotation 0 to 360°
Menu	
Image Mode	STD/HIGH-SAT
AGC	Support
Day/Night Mode	Auto/Color/BW (Black and White)
White Balance	Auto/Manual
AE (Auto Exposure) Mode	DWDR/BLC/HLC/Global
Language	English
Functions	Brightness, Sharpness, Mirror, Smart IR
2D DNR	Yes
Interface	
Video Output	TVI/AHD/CVI/CVBS
General	
Operating Condition	-40 °C to 60 °C (-40 °F to 140 °F), humidity: 90% or less (non-condensation)
Power Supply	12 VDC ± 25%
Power Consumption	Max. 4.3 W
Protection Level	IP67
Material	Front Cover: Metal Main Body: Plastic
IR Range	Up to 40 m
Communication	HIKVISION-C
Dimensions	78.9 mm × 75.4 mm × 216.6 mm (3.10" × 2.97" × 8.53")
Weight	Approx. 330 g (0.73 lb.)

## ▪ Dimension



**▪ Accessory**

DS-1280ZI-XS

**▪ Available Model**

DS-2CE17HOT-IT3F

Distributed by

**HIKVISION®****Headquarters**

No.555 Qianmo Road, Binjiang District,  
Hangzhou 310051, China  
T +86-571-8807-5998  
overseasbusiness@hikvision.com

**Hikvision USA**  
T +1-909-895-0400  
sales.usa@hikvision.com

**Hikvision Australia**  
T +61-2-8599-4233  
salesau@hikvision.com

**Hikvision India**  
T +91-22-28469900  
sales@pramahikvision.com

**Hikvision Canada**  
T +1-866-200-6690  
sales.canada@hikvision.com

**Hikvision Thailand**  
T +662-275-9949  
sales.thailand@hikvision.com

**Hikvision Europe**  
T +31-23-5542770  
sales.eu@hikvision.com

**Hikvision Italy**  
T +39-0438-6902  
info.it@hikvision.com

**Hikvision Brazil**  
T +55 11 3318-0050  
Latam.support@hikvision.com

**Hikvision Turkey**  
T +90 (216)521 7070- 7074  
sales.tr@hikvision.com

**Hikvision Malaysia**  
T +601-7652-2413  
sales.my@hikvision.com

**Hikvision UK & Ireland**  
T +01628-902140  
sales.uk@hikvision.com

**Hikvision South Africa**  
Tel: +27 (10) 0351172  
sale.africa@hikvision.com

**Hikvision France**  
T +33(0)1-85-330-450  
info.fr@hikvision.com

**Hikvision Kazakhstan**  
T +7-727-9730667  
nikia.panfilov@hikvision.ru

**Hikvision Vietnam**  
T +84-974270888  
sales.vt@hikvision.com

**Hikvision UAE**  
T +971-4-4432090  
salesme@hikvision.com

**Hikvision Singapore**  
T +65-6684-4718  
sg@hikvision.com

**Hikvision Spain**  
T +34-91-737-16-55  
info.es@hikvision.com

**Hikvision Tashkent**  
T +99-87-1238-9438  
uzb@hikvision.ru

**Hikvision Hong Kong**  
T +852-2151-1761  
info.hk@hikvision.com

**Hikvision Russia**  
T +7-495-669-67-99  
saleru@hikvision.com

**Hikvision Korea**  
T +82-(0)31-731-8817  
sales.korea@hikvision.com

**Hikvision Poland**  
T +48-22-460-01-50  
info.pl@hikvision.com

**Hikvision Indonesia**  
T +62-21-2933759  
Sales.Indonesia@hikvision.com

**Hikvision Colombia**  
sales.colombia@hikvision.com