

60 SERIES

HC60WB5R2

HC60WB5R5



5MP Network TDN WDR IR Outdoor Bullet Camera



OPERATIONAL	HC60WB5R2	HC60WB5R5
Video Standard	NTSC / PAL	
Scanning System	Progressive	
Image Sensor (Size: H x V)	1 / 2.8" CMOS (5.18 x 3.89 mm)	
Number Of Pixels (H x V)	5 MP (2560 x 1920)	
Min. illumination (Color/B&W)	0.04 Lux / 0Lux (@F1.4, IR on)	0.06 Lux / 0Lux (@F1.9, IR on)
S/N Ratio	60 dB	
Electronic Shutter Speed	1/32000 ~ 1/30	
IR Distance	Up to 60 m (197 ft)	
IR Light Control	Smart IR (Auto / Manual) / OFF, External IR trigger by output	
IR Light Number	4	
Removable IR-Cut Filter	Yes	
Day/Night	Auto / Day / Night / Synchronize with digital input / Schedule	
Backlight Compensation	WDR, HLC	
White Balance	Auto / Fixed Current / Manual	
Gain Control	0-100 %	
Wide Dynamic Range	>120 dB	
Noise Reduction	3D DNR	
Lens	Remote Focus, 2.7 ~ 13.5 mm, MFZ, P-IRIS, F1.4 ~ F2.8	Remote Focus, 5 ~ 50 mm, MFZ, DC-IRIS, F1.9 ~ F2.1
Angle Of View	H: 100° ~ 30°, V: 72° ~ 23°	H: 45° ~ 7°, V: 33° ~ 5°
G-Sensor	Support Camera Direction OSD Display (Default - Off)	
Privacy Masking	Off / On (5 Areas)	
Defog	Support	
Encryption Chipset	Built-in FIPS encryption Chipset	
Local Storage	Micro SD / SDHC / SDXC card slot (up to 256 GB), SD Card encryption	
Micro USB	Support Wifi Dongle for configuration	
Alarm Inputs / Outputs	2 In / 1 Relay Out	
VIDEO		
Video Compression	H.265 HEVC / H.264 / MJPEG, Smart Codec	
Resolution (16/9)	2560 x 1440 / 1920 x 1080 / 1600 x 904 / 1360 x 768 / 1280 x 720 / 640 x 360	
Resolution (4/3)	2560 x 1920 / 1600 x 1200 / 1280 x 960 / 640 x 480	
Number of Video Streams	3	
Frame Rate Main Stream & Frame Rate Second Stream	2560 x 1440 / 1920 x 1080 / 1600 x 904 / 1360 x 768 / 1280 x 720 / 640 x 360 (1-25/30 fps), 1920 x 1080 / 1600 x 904 / 1360 x 768 / 1280 x 720 / 640 x 360 (1-50/60 fps), 2560 x 1440 (1-50 fps)	
Frame Rate Third Stream	1280 x 960 / 640 x 480 (1-25/30 fps) 1280 x 720 / 640 x 360 (1-50/60 fps)	
Bit Rate (Control)	20 K ~ 80 Mbps	
AUDIO		
Audio Compression	G.711a / G.711 Mu / G.726	
Audio Stream	Full duplex, simplex	
Audio Interface	Line In / Out	

NETWORK	
Ethernet	10 Base-T / 100 Base-TX Ethernet (RJ-45)
Supported Web Browsers	Chrome 79.0 Internet Explorer 11
Supported OS	Microsoft Windows 10
Protocols*	IPv4, IPv6, TCP / IP, HTTP, HTTPS, UPnP, RTSP / RTP / RTCP, IGMP / Multicast, CIFS / SMB, SMTP, DHCP, NTP, DNS, DDNS, CoS, QoS, SNMP, 802.1X, UDP, ICMP, ARP, TLS
Interoperability	ONVIF Profile G / S
Maximum Users Access	10 Users
Security	User account and password protection, HTTPS, IP Filter, Digest authentication, TLS1.2 only, Stream encryption, AES128 / 256, SSH / Telnet closed, PCIDSS compliance, FIPS 140-2 Certified Chipset Built-in
Languages Supported	English, French, German, Italian, Japanese, Portuguese, Russian, Spanish, Traditional Chinese
EVENTS / ANALYTICS	
Built-in Video Analytics	Intrusion, Loiter, Line crossing, Unattended object, Missing object, Face detection
Event type	Video motion detection, Periodically, Alarm input, System boot, Recording notification, Camera tampering detection
Event linkage	Event notification using digital output, HTTP, Email and MicroSD card
Region Of Interest	5
ELECTRICAL	
Power Supply	12 VDC / 24 VAC (50 / 60Hz), Heat On: PoE (IEEE 802.3 at, Class 4), Heat Off: PoE (IEEE 802.3 at, Class 3), Auto Sensing
Power Consumption	MAX 25.5 W
Alarm Inputs / Outputs	2 In / 1 Relay Out
MECHANICAL	
Dimensions (D x D x L)	105.5 mm x 110.6 mm x 288.6 mm (4.2" x 4.4" x 11.4")
Product Weight	HC60WB5R2: 1.75 kg (3.86 lb); HC60WB5R5: 2.53 kg (5.58 lb)
Package Weight	HC60WB5R2: 1.78 kg (3.92 lb); HC60WB5R5: 2.56 kg (5.64 lb)
Body Material	Metal (die casting aluminum with powder coating)
Construction Color	RAL 120-1 (Lyric White)
ENVIRONMENTAL	
Operating Temperature	Starting and Working Temperature: -40°C ~ 60°C (-40°F ~ 140°F) (802.3at PoE Class 4)
Relative Humidity	Less than 90 %, non-condensing
Ingress Protection	IP66 / IP67 / NEMA 4X
Impact Resistance	IK10
Heater / Gore-Vent	Yes / Yes
REGULATORY	
Emissions	FCC PART 15, CE (EN 55032)
Immunity	CE (EN 50130-4)
Safety	UL LISTED TO UL / CSA 62368-1, CE (EN 62368-1), UL / CSA 60950-22, CE (EN 60950-22)
RoHS	CE (EN 50581), EAC (TR EAEU 037 / 2016), UAE (Cabinet Decree No.10 of 2017)
Country of Origin	Taiwan

Honeywell

60 SERIES 5MP NETWORK TDN WDR IR OUTDOOR BULLET CAMERA

SYSTEM COMPATIBILITY

Pro-Watch NVR	Up to 256 IP channels RAID5 / 6 Enterprise NVR
MAXPRO NVR PE	Up to 128 IP channels RAID5 / 6 Enterprise NVR
MAXPRO NVR SE	Up to 64 IP channels System NVR
MAXPRO NVR XE	Up to 16 IP channels System NVR
MAXPRO NVR SOFTWARE	Up to 128 IP channels Recording Software
ADPRO NVR FastTrace 2E	Up to 32 IP channels with up to 32 VA channels NVRs
ADPRO NVR iFT-E	Up to 32 IP channels with up to 32 VA channels NVRs
ADPRO NVR iFT	Up to 32 IP channels or 16 IP channels with up to 16 VA channels NVRs
ADPRO NVR iFT Gateway	4 IP channels + 4 VA channels
HEN*4	8 / 16 / 32 / 64-channel Performance Series NVRs (H.264 and H.265)
Honeywell DVM	Supported with Honeywell DVM R700 , DVM R620
30 SERIES NVR	Integration with 30 Series NVR

OPTIONAL MOUNTS AND ACCESSORIES

HB4G-PM	Pole Mount Adapter
HB34G-CM	Corner Mount Adapter
HA30PLM01	Pole Mount Adapter
HA30CNM01	Corner Mount Adapter
HA60BB1	Junction box, 60 series outdoor bullet
HA60POEZ	UPOE Injector
HA60BFP	Replacement Bullet, 60 series bullet front panel
HA60WIF	Wifi dongle and USB adapter for camera configuration

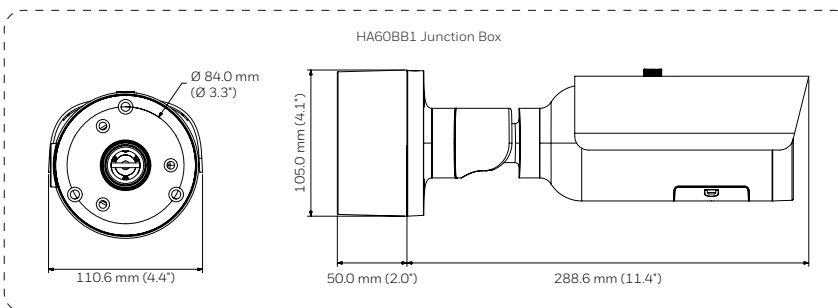
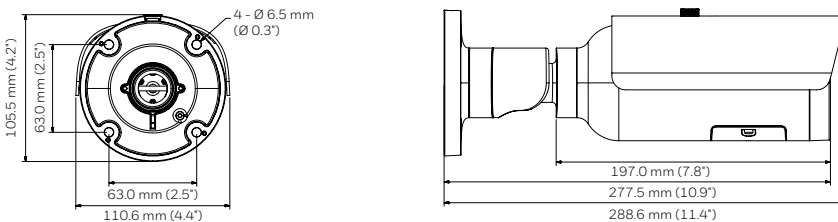


Learn more
about 60 Series
accessories

ORDERING

HC60WB5R2	5MP Network IR Outdoor Bullet Camera, WDR>120 dB, 1/2.8" CMOS, 2.7-13.5 mm MFZ, 4 IR LEDs, PoE+, H.265 HEVC Smart Codec, IP66 / 67 / IK10/ NEMA4X, Grey
HC60WB5R5	5MP Network IR Outdoor Bullet Camera, WDR>120 dB, 1/2.8" CMOS, 5-50 mm MFZ, 4 IR LEDs, PoE+, H.265 HEVC Smart Codec, IP66 / 67 / IK10/ NEMA4X, Grey

DIMENSIONS



For more information

www.security.honeywell.com



Honeywell Commercial Security

715 Peachtree St. NE
Atlanta, GA 30308
1.800.323.4576
www.honeywell.com

ONVIF and the ONVIF logo are trademarks of ONVIF Inc.
HEVC Advance logo is a trademark of HEVC Advance
Honeywell reserves the right, without notification, to
make changes in product design or specifications.

HSV-HC60WB5Rx-03-US(1220)DS-Z
© 2020 Honeywell International Inc.

Honeywell